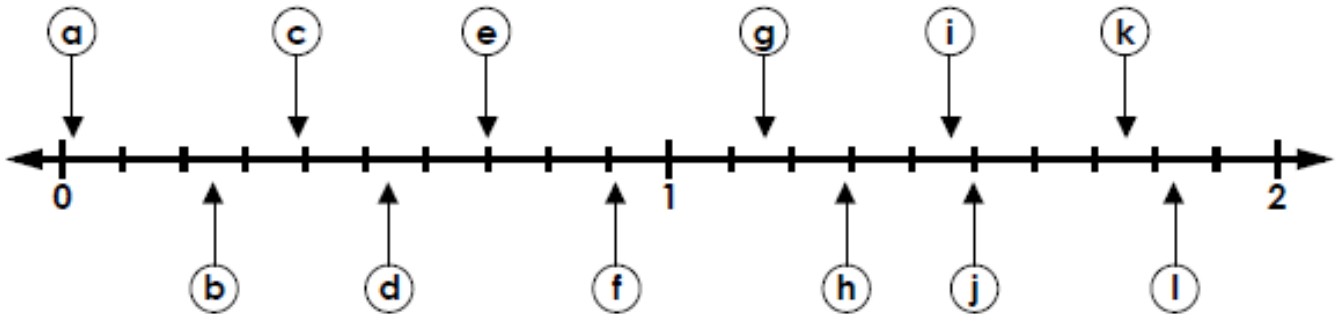


Name: _____
 Number lines with decimals and irrational numbers

Decimal Number Line

Write the correct letter on the blank line next to each decimal.



0.38 <u> c </u>	1.16 _____	1.75 _____	0.54 _____
0.70 _____	1.47 _____	0.02 _____	1.50 _____
1.29 _____	0.25 _____	1.83 _____	0.91 _____

Decimal Number Line

Part 2!

For each of the following determine the approximate decimal value (rounded to the tenth) and place it on the number line with the corresponding letter

A) $\frac{5}{2}$	2.5
B) $-\sqrt{9}$	
C) -0.462	
D) $\sqrt{2}$	

E) $1\frac{2}{3}$	
F) $3\frac{1}{4} - \sqrt{6}$	
G) $\sqrt{6} + \sqrt{4}$	
H) -3.4562	

